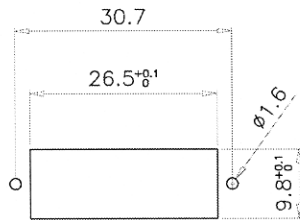
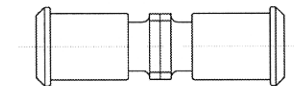
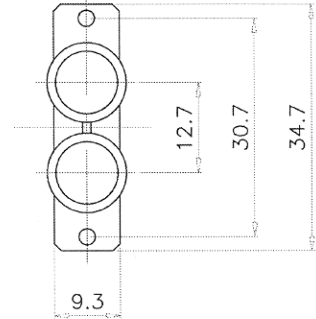
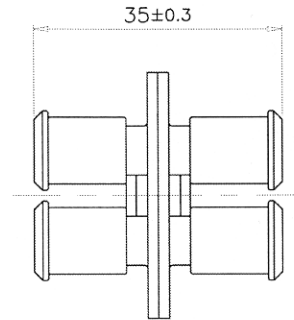
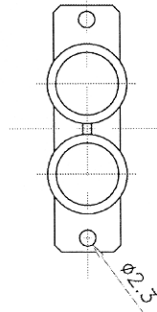


SCALE 1/1



SUGGESTED PANEL CUTOUT



Specification:

Material:

1. ST Housing: PBT UL 94V-0, Ivory color.
2. ST Dust Cover: PVC, Black color.

Performance:

- a. ST Duplex Type , Multimode.
- b. Sleeve: Phosphor Bronze.
- c. Operation Temperature: -20°C to $+70^{\circ}\text{C}$.
- d. Durability: 500 cycles.
- e. Tensile Strength: 10 kgf.
- f. Insertion Loss: <0.3 dB.

GENERAL TOLERANCE OF DIMENSIONS X.XXX ± 0.005 X.XX ± 0.05 X.X ± 0.1	DRAWING	29.SEP.2004	Michelle	Computer Cable Makers Inc. www.computercablesource.com 916-921-2243
	CHECK	29.SEP.2004	YTY	
	APPROVAL	29.SEP.2004	Magic	
		DATE	NAME	ITEM NO.: FIB-7601
SCALE	1/1 (A4)	UNIT	mm	DES.: ST Adaptor Duplex Type (MM)
	DRAWING NO.	FIB-7601		
	DRAWING CLASSIFICATION	S	SHEET 1 OF 1	

