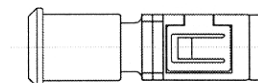
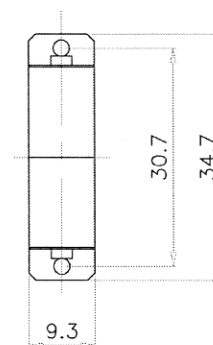
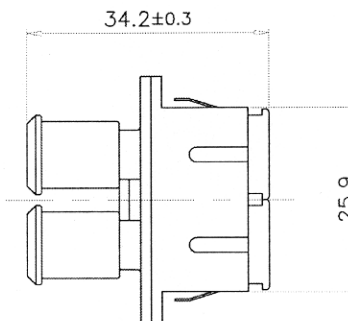
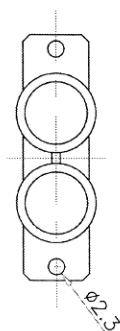


SUGGESTED PANEL CUTOUT



Specification:

Material:

1. ST Housing : PBT UL 94-V0, Blue color.
2. SC Housing : PBT UL 94-V0, Blue color.
3. SC Dust Cover : PP, Black color.
4. ST Dust Cover : PVC, Black color.
5. Holder : PBT UL 94-V0, Blue color.
6. Clip : STAINLESS.

Adaptor Type :

- a. ST to SC Duplex Type , Multimode.
- b. Sleeve: Phosphor Bronze.

GENERAL TOLERANCE OF DIMENSIONS X.XXX ±0.005 X.XX ±0.05 X.X ±0.1	DRAWING	08.JUL.2004	Michelle	Computer Cable Makers Inc. www.computercablesources.com 916-921-2243	
	CHECK	08.JUL.2004	Magic		
	APPROVAL	08.JUL.2004	Andy		
		DATE	NAME	ITEM NO.: FIB-7605	
	SCALE	1/1 (A4)	UNIT	mm	DES.: ST to SC Adaptor-Duplex Type (MM)
	DRAWING NO. FIB-7605				
	DRAWING CLASSIFICATION		S	SHEET	1 OF 1

